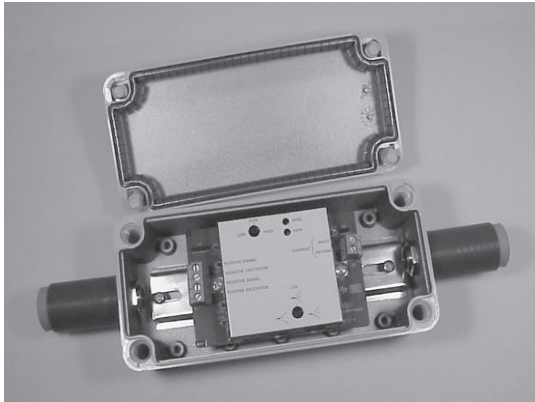


Transducer Transmitter



FEATURES

- ATEX approved EEx ia IIC T4
- IP67
- Well protected enclosure
- Two wires transmitter

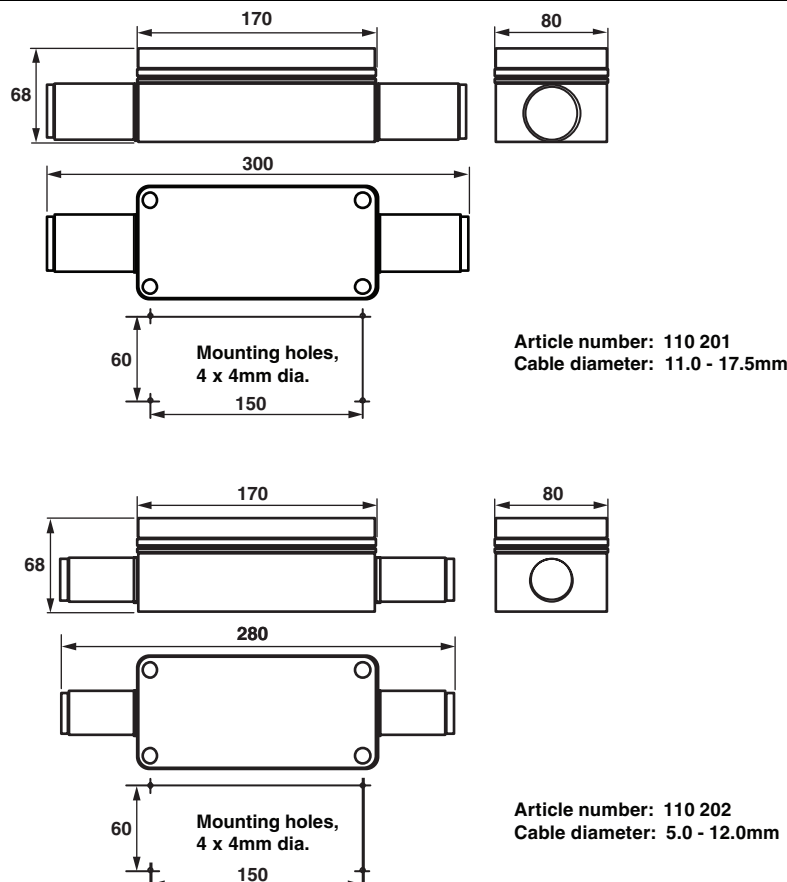
DESCRIPTION

BILT 4 is a two wire current loop transmitter designed for industrial applications by means of strain gage transducers. Build in a protected polycarbonate enclosure with protection from dust and humidity. BILT 4 is approved for ATEX areas.

APPLICATIONS

- Transducers in ATEX area
- Force measurement

OUTLINE DIMENSIONS in mm



SPECIFICATIONS			
PARAMETER	SYMBOL	VALUE	UNIT
Ex. safety description			
Ex approval		SP Ex 01.E.604	
EEx ia IIC T4		Intrinsically safe	
Temperature range	T_{amb}	-20 to +40	°C
	U_i	30	V
	P_i	1.30	W
	I_i	200	mA
	C_i	30.0	nF
	L_i	10.0	μH
Analog output			
Current		4 - 20	mA
Nonlinearity		<0.1	% of range
Transducer input			
Transducers		350 - 1000	Ω
Excitation		0.96	V DC
Signal input		0.4 - 3.8	mV/V
Zero adjustment (with 350 ohm transducer)		±0.58	mV/V
Calibration methods		Dead weight, shunt, and with transducer simulator	
Mechanical data			
Protection		IP67	
Art. No. 110 201: Dimension (incl. protection at cable glands) Cable diameter		300 x 80 x 68 11.0 - 17.5	mm mm
Art. No. 110 202: Dimension (incl. protection at cable glands) Cable diameter		280 x 80 x 68 5.0 - 12.0	mm mm
Environmental			
Operating temperature		-25 to +70	°C
In intrinsic safe circuit		-20 to +40	°C
Power supply - unregulated power supplies can not be used			
Voltage		8 - 30	V DC
Consumption		4 - 20	mA

Disclaimer

All product specifications and data are subject to change without notice.

Vishay Precision Group, Inc., its affiliates, agents, and employees, and all persons acting on its or their behalf (collectively, "Vishay Precision Group"), disclaim any and all liability for any errors, inaccuracies or incompleteness contained herein or in any other disclosure relating to any product.

Vishay Precision Group disclaims any and all liability arising out of the use or application of any product described herein or of any information provided herein to the maximum extent permitted by law. The product specifications do not expand or otherwise modify Vishay Precision Group's terms and conditions of purchase, including but not limited to the warranty expressed therein, which apply to these products.

No license, express or implied, by estoppel or otherwise, to any intellectual property rights is granted by this document or by any conduct of Vishay Precision Group.

The products shown herein are not designed for use in medical, life-saving, or life-sustaining applications unless otherwise expressly indicated. Customers using or selling Vishay Precision Group products not expressly indicated for use in such applications do so entirely at their own risk and agree to fully indemnify Vishay Precision Group for any damages arising or resulting from such use or sale. Please contact authorized Vishay Precision Group personnel to obtain written terms and conditions regarding products designed for such applications.

Product names and markings noted herein may be trademarks of their respective owners.